



Specifications

Electrical Ratings	500mA @ 24VDC
Electrical Life	1,000,000 cycles typical
Contact Resistance	<50mΩ initial
Actuation Force	200 ±50gF
Actuation Travel	2.2 ± .1mm

Dielectric Strength	1000Vrms min
Insulation Resistance	>100MΩ min
Operating Temperature	-40°C to 85°C
Storage Temperature	-40°C to 85°C

Materials

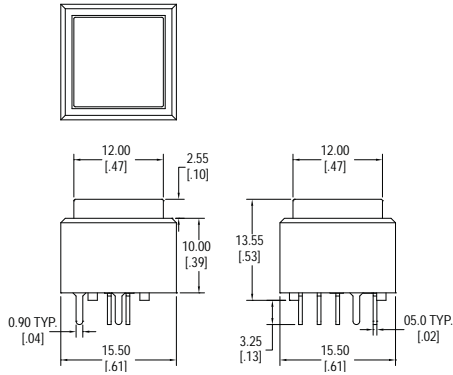
Actuator Cap	Poly Carbonate (PC)
Actuator Body	Poly Carbonate (PC)
Housing	Polyamide (PA), UL94V-0
Terminal Base	Polyamide (PA), UL94V-0
Contacts	Brass Rivet, Silver or Gold Plated
Terminals	Brass, Silver or Gold Plated

Ordering Information

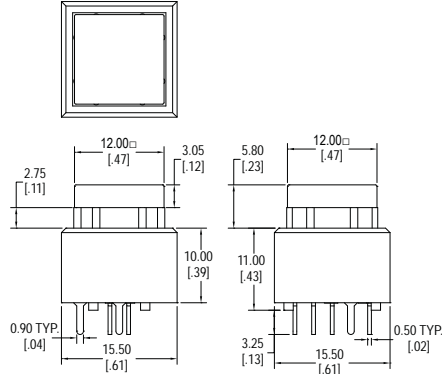
1. Series	JC	V	1	RR	R	33	MSJ
JC							
2. Actuator Options	<ul style="list-style-type: none"> S = Square H = Extended Square R = Rectangle V = Square, concave Q = Square, concave PS = Square, panel mount PH = Extended Square, panel mount 						
3. Number of Poles	<ul style="list-style-type: none"> 1 = SPDT 2 = DPDT 						
4. Latching Option	<ul style="list-style-type: none"> Blank = Momentary L = Latching **Not available with R actuator 						
5. LED Color	BB = Blue	RB = Red/Blue	YW = Yellow/White				
	RR = Red	WW = White	RW = Red/White	GB = Green/Blue			
	GG = Green	RY = Red/Yellow	YG = Yellow/Green	GW = Green/White			
	YY = Yellow	RG = Red/Green	YB = Yellow/Blue	BW = Blue/White			
6. Contact Material	<ul style="list-style-type: none"> Q = Silver R = Gold 						
7. Diffuser Color Options	<ul style="list-style-type: none"> Blank = White (standard) 3 = Red 4 = Yellow 5 = Green 7 = Blue 			8. Actuator Color Options **available only with V & Q actuators			
				<ul style="list-style-type: none"> Blank = Clear (standard) 3 = Red 4 = Yellow 5 = Green 7 = Blue 			
9. Laser Etching Colors	<ul style="list-style-type: none"> Blank = No laser etching color MS = Misty Silver B = Black 			10. Laser Etching Styles			
				<ul style="list-style-type: none"> Blank = No laser etching style A D G J B E H K C F I L 			

Illuminated Pushbutton

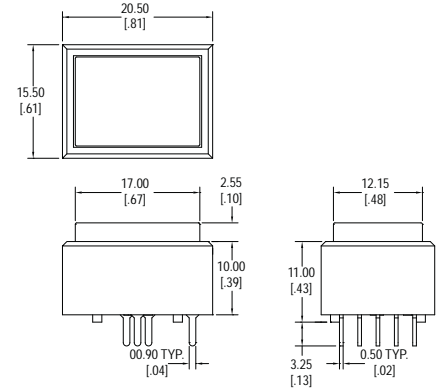
Dimensions



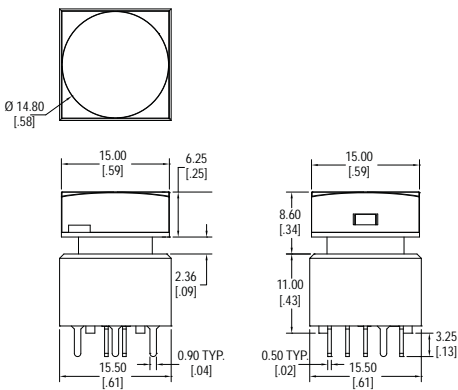
S = Square



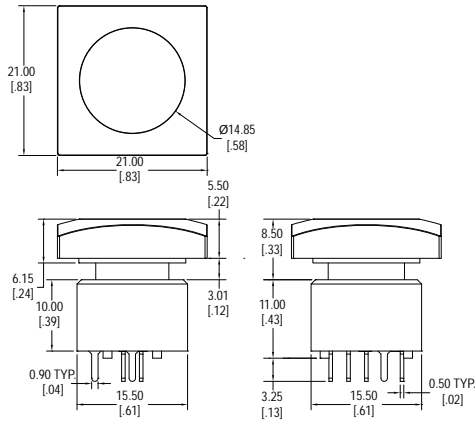
H = Extended Square



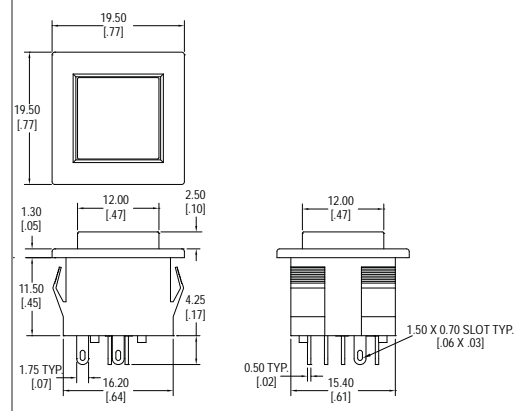
R = Rectangle



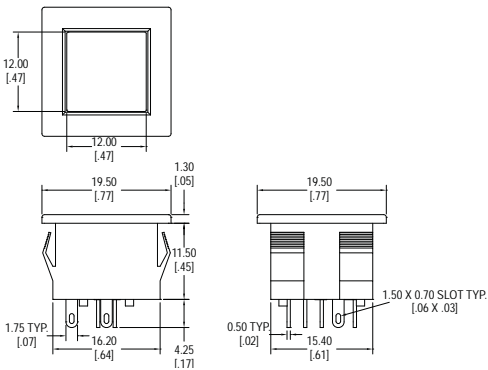
V = Square, Concave



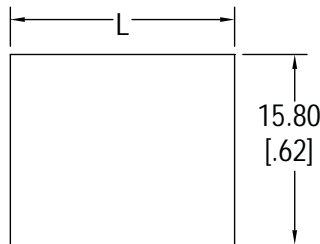
Q = Square, Concave



PH = Square, Panel Mount



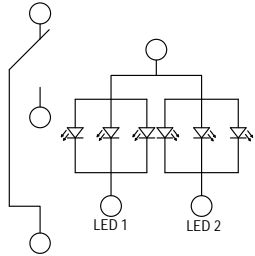
PS = Square, Panel Mount



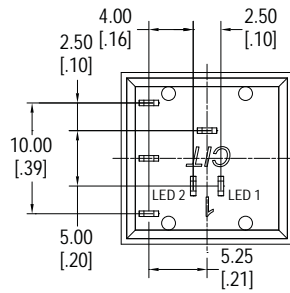
Panel Cut-Out

Panel Thickness	"L"
0.75 - 1.25mm	18.0 - 18.2mm
1.25 - 2.00mm	18.2 - 18.4mm
2.00 - 3.00mm	18.4 - 18.6mm

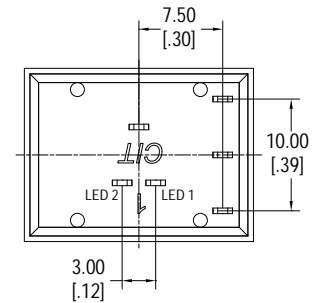
Schematic & Bottom View



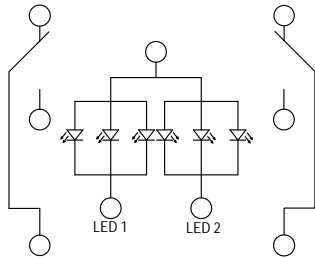
SPDT



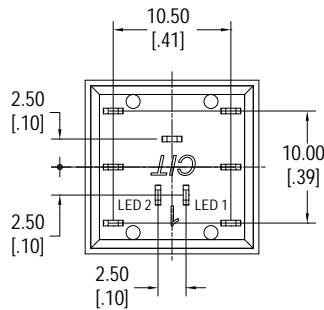
S, H, V & Q Bottom View



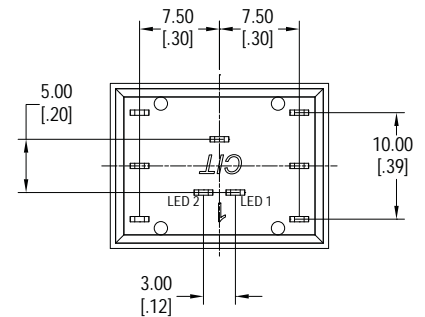
R Bottom View



DPDT

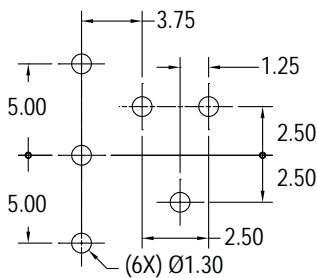


S, H, V & Q Bottom View

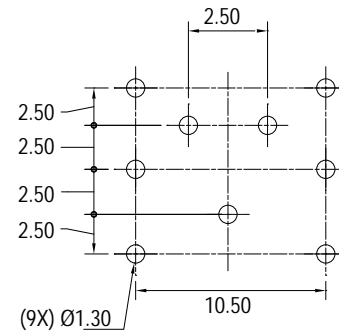


R Bottom View

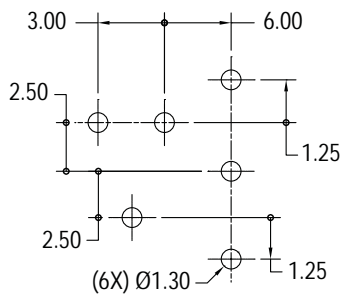
PCB Layout



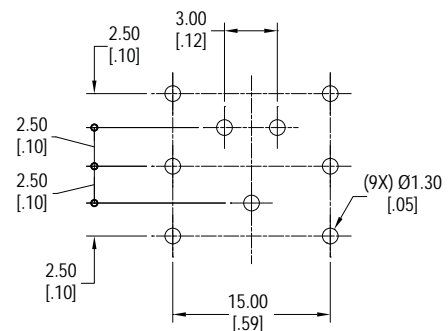
SPDT - S, H, V, R & Q Actuators



DPDT - S, H, V & Q Actuators



SPDT - R Actuator



DPDT - R Actuator

Illuminated Pushbutton

Actuators & Diffuser Styles



3 = Red Diffuser



4 = Yellow Diffuser



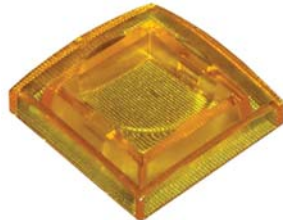
5 = Green Diffuser



7 = Blue Diffuser



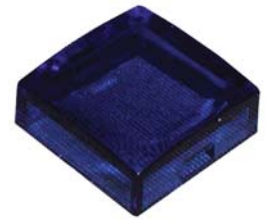
3 = Red Actuator



4 = Yellow Actuator



5 = Green Actuator



7 = Blue Actuator

Laser Etching Styles



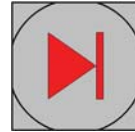
A



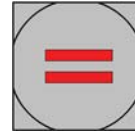
B



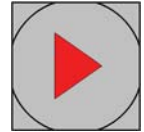
C



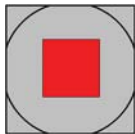
D



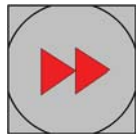
E



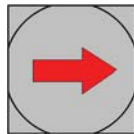
F



G



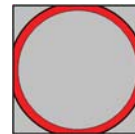
H



I



J



K



L

LED Characteristics

LED Ratings		Color					Units
		R	G	Y	B	W	
Reverse Voltage	V _R	5	5	5	5	5	V
Forward Current (avg)	I _F	30	30	30	30	30	mA
Forward Current (peak)	I _{FS}	100	120	100	100	100	mA
Reverse Current V _R = 5V	I _R	10	10	10	10	10	μA
Power Dissipation	P _T	100	100	100	120	120	mW
Operating & Storage Temperature	T _A	-40 ~ +85					°C
Forward Voltage (typ) I _F = 20mA	V _F	1.7	1.7	1.7	3.5	3.5	V
Forward Voltage (max) I _F = 20mA	V _F	2.6	2.6	2.6	4.0	4.0	V
Wavelength at Peak Emmission, I _F = 20mA	λ _P	697	565	585	470	n/a	nm
Spectral Line Half-Width, I _F = 20mA	Δλ	20	20	20	25	n/a	nm
Luminous Intensity, I _F = 20mA	LI	171	171	171	450	400	mcd
Viewing Angle	Θ	50	50	50	50	50	deg